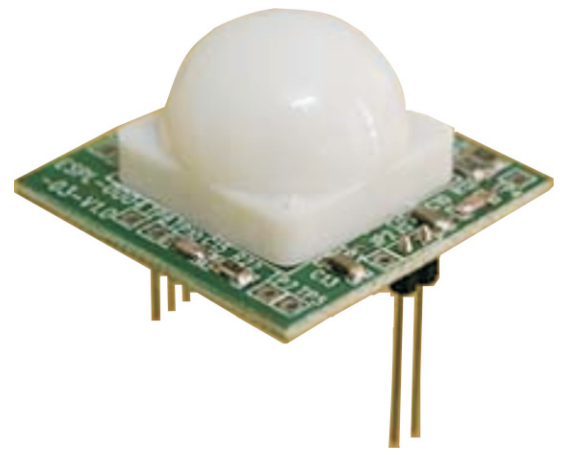


# PIR Sensor Module

## MODEL No: PR-005 / PR-005R



### Introduction

PR-005 / PR-005R is a multi purpose PIR sensor module designed for OEM applications. This sensor can detect human body movement within its detection range and generate a TTL open collector output signal.

### Features

- Excellent motion detection capability
- Application suitable power supply
- Compact dome lens
- Low power consumption
- TTL open collector output
- Built-in Cds photocell sensor
- Useful for ceiling / wall / panel mount

### Applications

The PR-005 can be integrated with following OEM products.

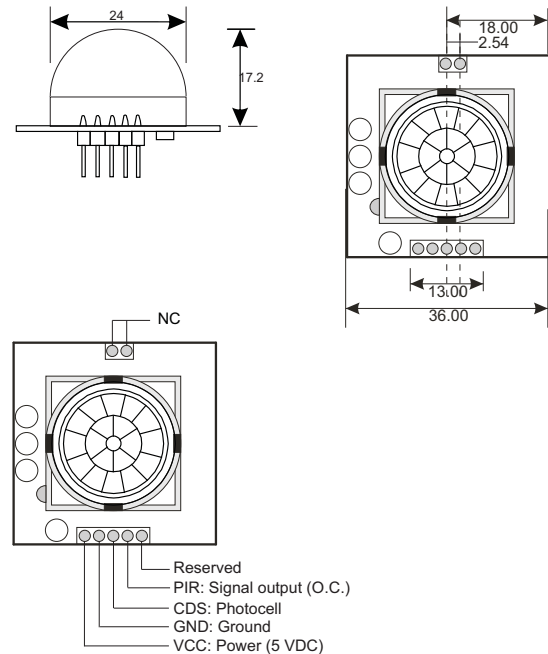
- Light control sensor
- Elevator Fan and light control
- HVAC switch
- Toilet ventilation fan
- Indoor AIR Quality filter
- Vending machine

### Specifications

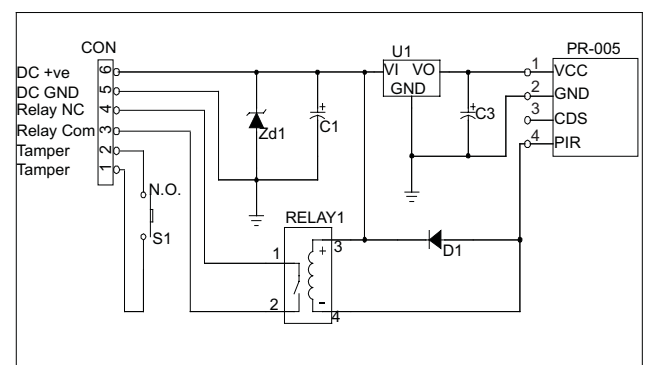
PIR Sensor:	Dual Element
Light sensor:	Cds Photocell
Power Supply:	5 VDC, 1.5mA
Cds dark resistance:	>600K ohm
Cds gamma value:	Typical 0.75, 10~100 Lux
Warm up time:	60 Seconds
Alarm Period:	1.5 ~ 2 seconds
Mounting Height:	1.2m Typical
Detection Range:	5m
Output voltage:	40V maximum
Output current:	50mA maximum
Dimensions:	36 X 36 X 17.2
Working Temperature:	
EMI/RFI Immunity:	
Humidity:	

### Dimensions

Unit:mm



### Reference circuit



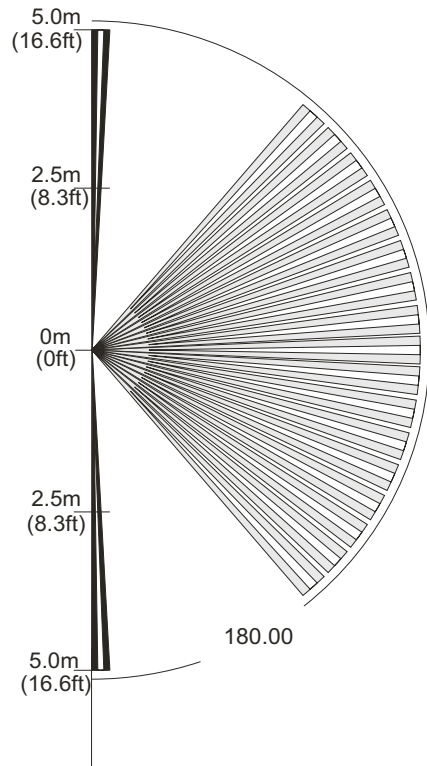
# PIR Sensor Module

## MODEL No: PR-005 / PR-005R

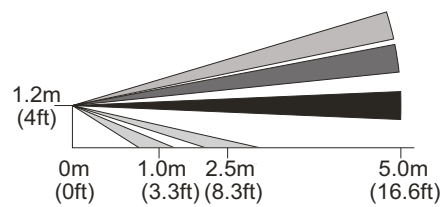
### Detection Pattern:

#### Wall Mount PR-005

TOP VIEW:

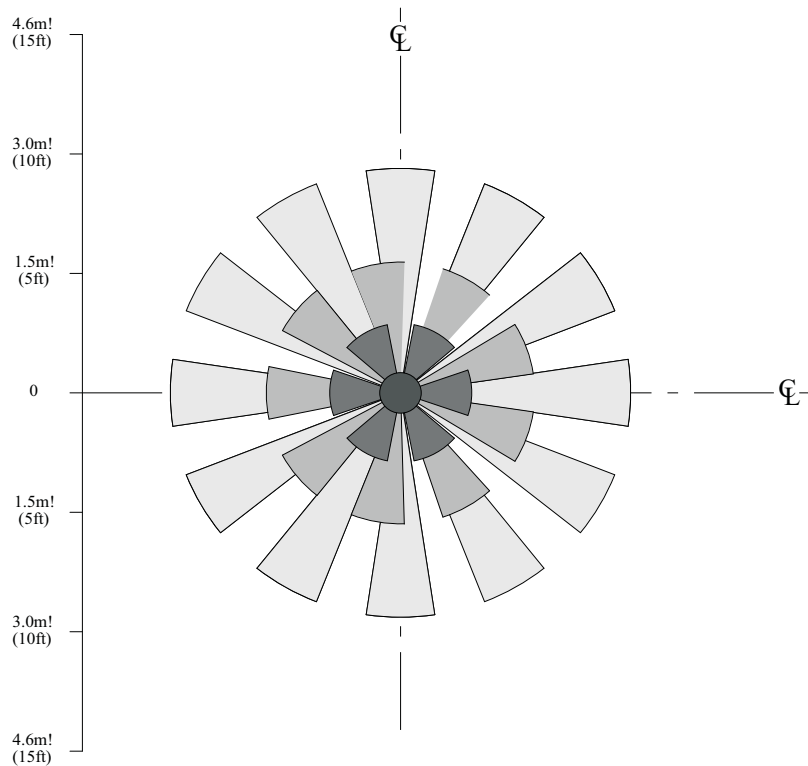


SIDE VIEW:

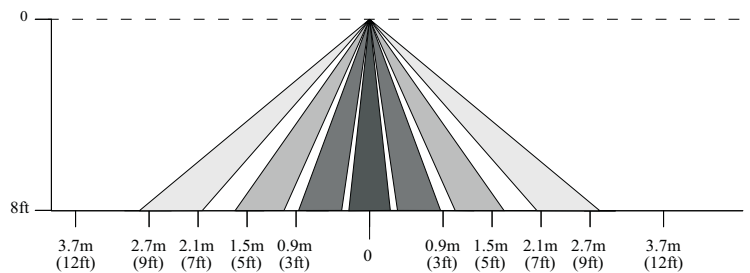


#### Ceiling Mount PR-005R

TOP VIEW:



SIDE VIEW:



eConzerv Solutions Pvt. Ltd.  
 Plot no 25, Survey No. 17/8/24,  
 Shivnery Park, Balewadi, Pune - 411 045,  
 Maharashtra, India  
 Tele: +91-20-2588 4920, 6530 3130, 9420068913.  
 URL: [www.econzerv.com](http://www.econzerv.com)  
 email: [customercare@econzerv.com](mailto:customercare@econzerv.com)